



- 1
- 2
- 3
- 4
- 5
- 6
- 7
- 8
- 9
- 10
- 11
- 12
- 13
- 14
- 15
- 16
- 17
- 18

**STANDARD EXECUTIONS**

Round cross section bar, without mounting holes, sandblasted matte finish.

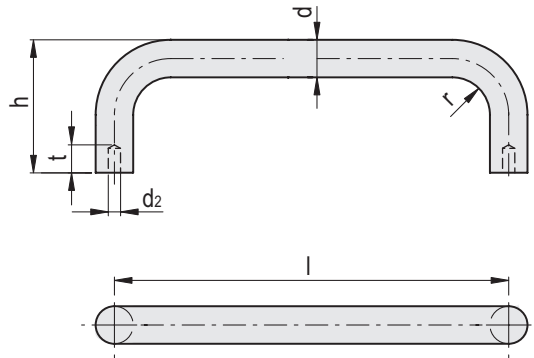
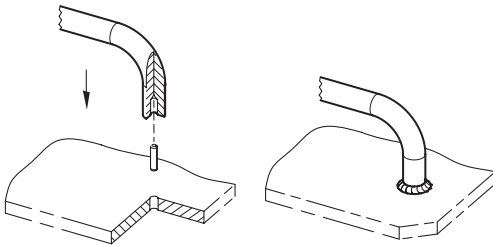
- **GN 425.3-ST:** steel.
- **GN 425.3-NI:** AISI 304 stainless steel.

**MOUNTING**

Welding.

**FEATURES AND APPLICATIONS**

D2 holes are used, if necessary, for the insertion of dowel pins or guide pins which provide an easy method of positioning and fixing the handle via the alignment holes on the opposite side for the welding process.



Conversion Table	
1 mm = 0.039 inch	
d	
mm	inch
8	0.31
10	0.39
12	0.47
16	0.63
20	0.79

**GN 425.3-ST**



Code	Description	d	l±0.5	d2 H12	h	r	t	Δ
GN.26903	GN 425.3-8-64-ST	8	64	3	35	10	5	45
GN.26905	GN 425.3-8-88-ST	8	88	3	35	10	5	55
GN.26907	GN 425.3-8-100-ST	8	100	3	35	10	5	60
GN.26909	GN 425.3-10-100-ST	10	100	3	43	12	5	113
GN.26724	GN 425.3-10-125-ST	10	125	3	43	12	5	110
GN.26726	GN 425.3-10-160-ST	10	160	3	43	12	5	130
GN.26734	GN 425.3-12-125-ST	12	125	4	51	14	6	170
GN.26736	GN 425.3-12-160-ST	12	160	4	51	14	6	210
GN.26738	GN 425.3-12-200-ST	12	200	4	51	14	6	245
GN.26713	GN 425.3-16-125-ST	16	125	4	59	18	6	320
GN.26715	GN 425.3-16-160-ST	16	160	4	59	18	6	370
GN.26717	GN 425.3-16-200-ST	16	200	4	59	18	6	440
GN.26719	GN 425.3-20-200-ST	20	200	5	68	22	8	700
GN.26721	GN 425.3-20-250-ST	20	250	5	68	22	8	830

**GN 425.3-NI**



Code	Description	d	l±0.5	d2 H12	h	r	t	Δ
GN.26902	GN 425.3-8-64-NI	8	64	3	35	10	5	45
GN.26904	GN 425.3-8-88-NI	8	88	3	35	10	5	55
GN.26906	GN 425.3-8-100-NI	8	100	3	35	10	5	60
GN.26908	GN 425.3-10-100-NI	10	100	3	43	12	5	113
GN.26723	GN 425.3-10-125-NI	10	125	3	43	12	5	115
GN.26725	GN 425.3-10-160-NI	10	160	3	43	12	5	137
GN.26733	GN 425.3-12-125-NI	12	125	4	51	14	6	175
GN.26735	GN 425.3-12-160-NI	12	160	4	51	14	6	210
GN.26737	GN 425.3-12-200-NI	12	200	4	51	14	6	245
GN.26712	GN 425.3-16-125-NI	16	125	4	59	18	6	245
GN.26714	GN 425.3-16-160-NI	16	160	4	59	18	6	380
GN.26716	GN 425.3-16-200-NI	16	200	4	59	18	6	450
GN.26718	GN 425.3-20-200-NI	20	200	5	68	22	8	715
GN.26720	GN 425.3-20-250-NI	20	250	5	68	22	8	840